



## Product Catalog Vertical Grinders

# 750 SERIES

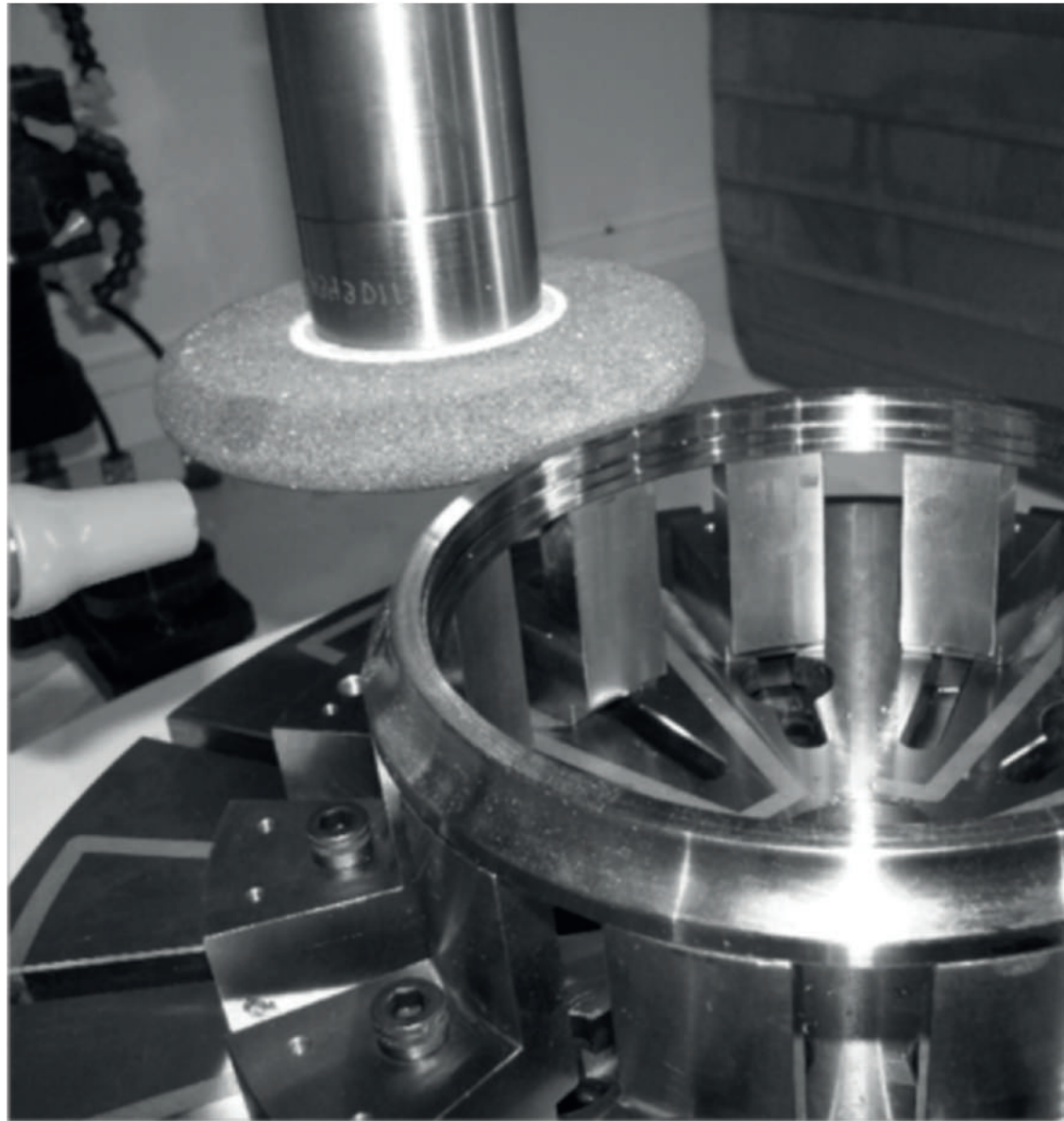
## VERTICAL GRINDING MACHINES

We build Model 750 vertical grinding machines specifically to grind cylindrical parts. This proven design has been successful in the bearing, aerospace and power generation industries. The 750 ID/OD Cylindrical grinder is a highly rigid platform configured to machine a part with its axis vertical, which eliminates the need for a steadyrest or tailstock, enhancing accuracy and repeatability. The machine is available with up to five axes of motion and various options. An optional tool changer enhances the flexibility and part features by changing out wheels, tools, and coolant nozzles for grinding specific part features.





# SPECIFICATIONS



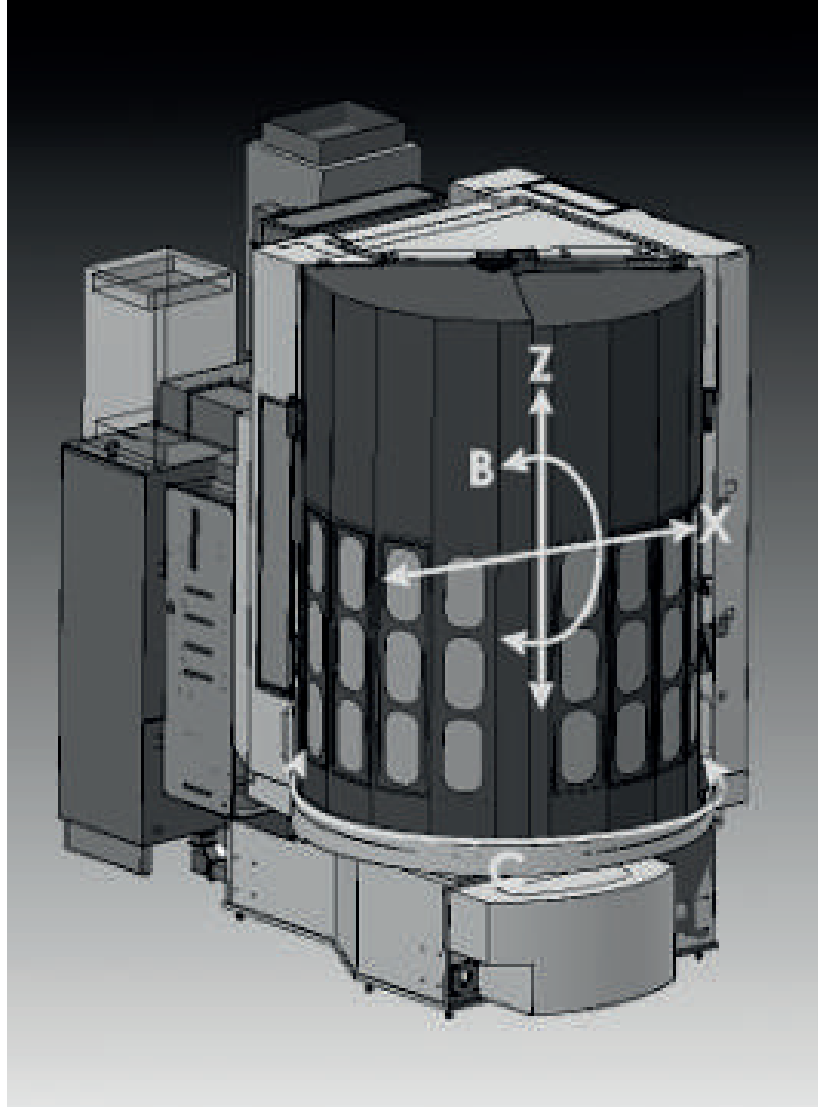
<b>Version</b>	<b>750 D1000</b>
<b>Dimensions</b>	2.00 M x 3.09 M
<b>Table Diameter</b>	900 mm
<b>Swing Diameter</b>	1100 mm
<b>Part Height</b>	550 mm
<b>Axes</b>	X, Z
<b>Spindle</b>	1500 - 7200 RPM
<b>Table Drive</b>	150 RPM

**Z Axis: Accuracy:** 5 Microns (0.0002")

**X Axis Accuracy:** 5 Microns (0.0002")



# FEATURES



## STANDARD

FANUC CNC Control Panel  
Precision Roller Ways - All Axes  
Ability To Use Any Abrasive

OD/ID Grinding Spindle  
Single Point Dresser  
High Precision Table Bearing

Linear Glass Scales - All Axes  
Full Machine Enclosure

## OPTIONS

Disk dresser  
Roll form dresser  
CNC radius dresser for bearing grinding  
CDCF dresser  
Magnetic chuck  
Hydrostatic table bearing  
ID shoe for bearing grinding  
Wireless part probe  
Tool probe  
Laser part measuring

Turning  
Steady rest/Live Center  
Automatic shoes  
C-axis contouring rotary work table  
Spindle indexer  
B-axis (spindle swivel)  
Chiller with spindle loop  
Standard gap eliminator  
Acoustic gap eliminator  
Air knife

Multiple grinding spindles on the same head  
Tool and nozzle changer  
Wheel load assist  
Deburring spindle  
Numerous spindle power & RPM combinations  
Mist collector  
Dust collector  
Fire suppression system for oil coolant  
High speed C-axis



# Product Catalog

## Campbell Grinder Company



 **Campbell**

1226 E Pontaluna Rd  
Spring Lake, MI 49456  
(231) 798-6464

CampbellGrinder.com  
cgc.sales@campbellgrinder.com